

CQT

Create More

Company Profile



01

About Us

130⁺

Patented Technology

50⁺

R&D Team

20⁺

Established Age



CQT Group consists of Ningbo Ivy Daily Commodity Co., Ltd. and Ningbo Ivy Auto Accessories Co., Ltd. Ningbo Ivy Daily Commodity Co., Ltd. was established in 2001, specializes in producing household products; Ningbo Ivy Auto Accessories Co., Ltd. was established in 2015; So far, CQT Group has developed into a large-scale enterprise integrating R&D, producing, and manufacturing of household commodities and auto accessories.

Over the years, company's products have been exported to more than 20 countries, like North America, Europe, the Middle East, etc. All of these products were trusted and favoured by foreign customers. When it comes to domestic market, CQT Group adjusted marketing strategy while keeping its business concept. We promise to bring excellent products and services to local customers, and we hope that our products can be utilized by millions of families.

02

Advantage

Established: 2001

Team: Professional R&D, Production management, Sales team

100+

Patented technology:

International certification:



The mark of responsible forestry



03

Our Customers



04

Culture



We believe that our brand would lose competitiveness if we cannot insist on innovation.



We believe that our brand would lose customers if products' quality cannot be guaranteed.



We believe that our brand would lose success if we cannot keep our word.

05

Products



Cleaning



Kitchen Accessories



Bathroom



Storage & Org

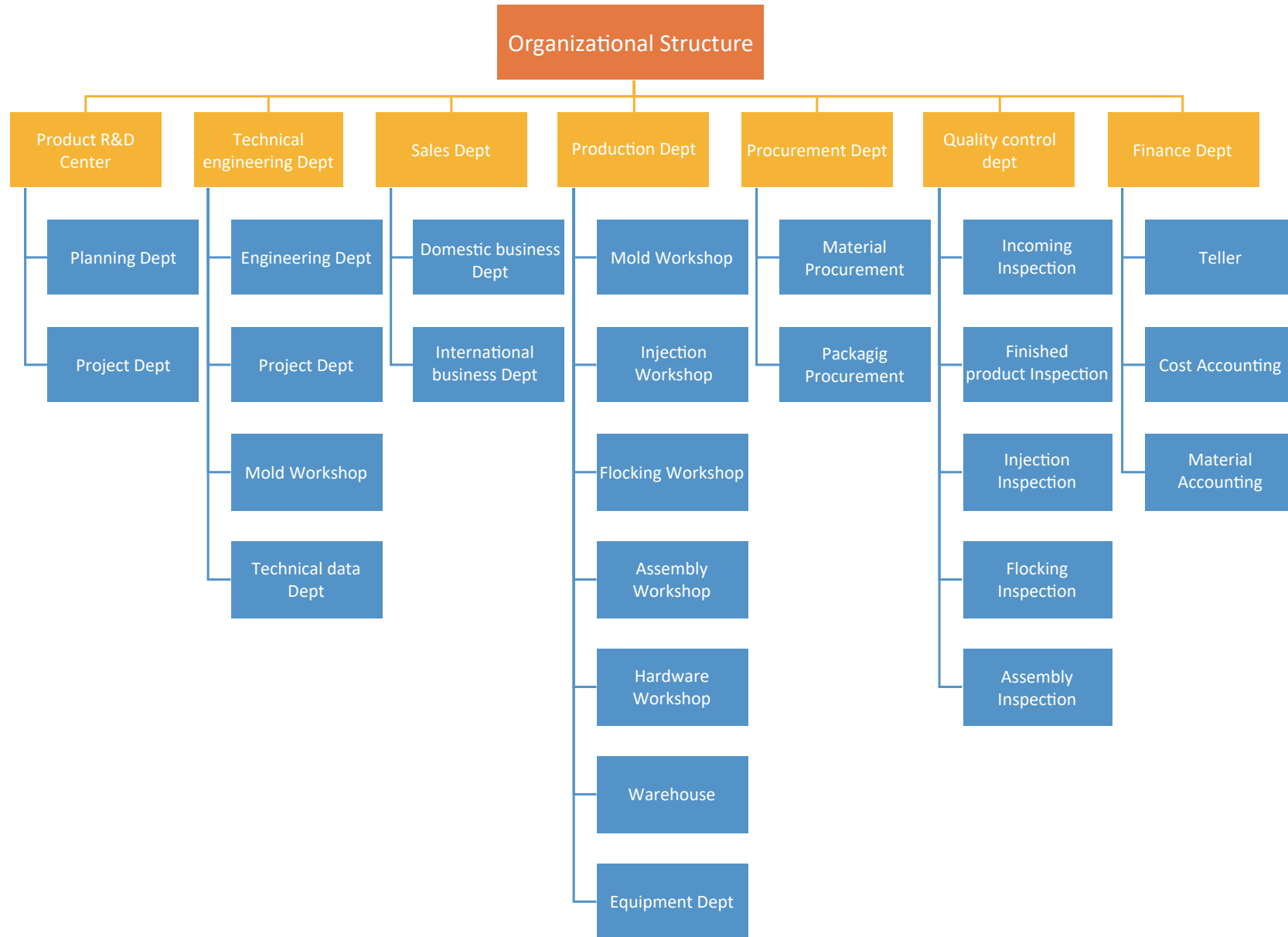


Trash can

06

Organizational Structure





Engineering Dept



Technical data Dept



Mold Workshop



Flocking Workshop



Injection Workshop



Warehouse

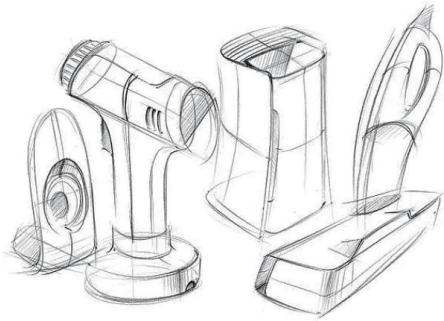


Assembly Workshop



07

Cooperate With Us

**1. Communication**

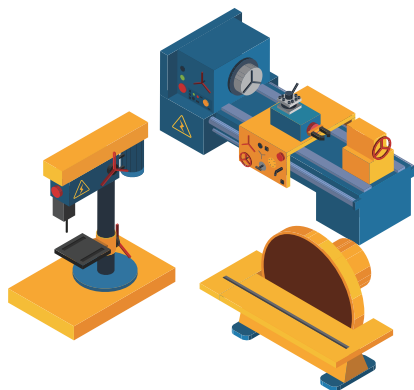
- Product design
- Packaging design
- Logo

**2. Quotation**

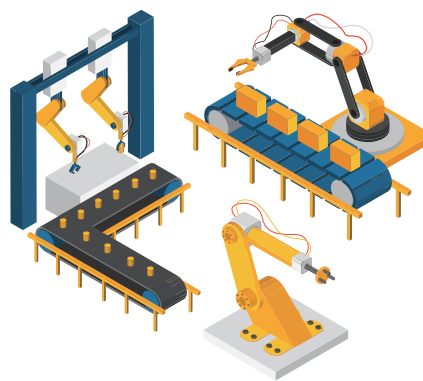
- Cost accounting
- Confirming offer

**3. Contract signing**

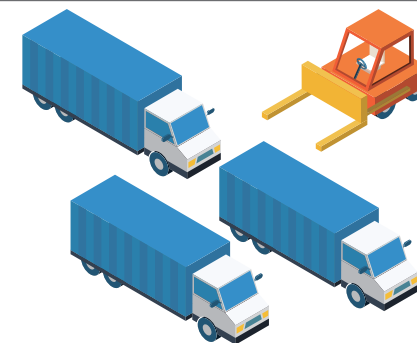
- Reconfirming order
- Confirming payment

**4. Mold making**

- Providing sample
- Confirming sample

**5. Production**

- Releasing orders
- Releasing deposit

**6. QC inspection**

- Quality confirmed
- Deliver goods
- Final payment

08

From R&D, mold development, manufacturing process, quality control, to raw material procurement, CQT Group has formed a series of high-standard service system.

To assure CQT Group will bring high-standard service for every customer, company has equipped with various of top-notch facilities, such as mold processing machines, five-axis CNC machining, automatic flocking machines made by Germany, Italy, and Belgium, as well as hundreds of injection molding machines, and totally 20 assembly lines ready for the production.

To even take services to another level, company has successfully implemented digital management, which enable company to achieve higher productivity, so as to maximize its potential. That's how CQT Group bring the best products and services to every customer, and it will never change.

Why us



09

Our vision

We not only want to become a super factory, but also a service provider offers one-stop services of R&D, production, procurement and transportation.

cqt

THANKS FOR WATCHING

